

Caesium-137

Gamma Sources

Sources contain the radionuclide as a pellet of Caesium ceramic.

Encapsulation is in welded stainless steel. Sources are supplied with single X.7 or double encapsulation X.8

| Nominal activity * | | Product code (X.7) | Product code (X.8) |
|--------------------|-----|--------------------|--------------------|
| MBq | mCi | | |
| 37 | 1 | CDC701 | CDC801 |
| 74 | 2 | CDC702 | CDC802 |
| 111 | 3 | CDC703 | CDC803 |
| 185 | 5 | CDC704 | CDC804 |
| 370 | 10 | CDC705 | CDC805 |
| 555 | 15 | CDC70550 | CDC80550 |
| 740 | 20 | CDC706 | CDC806 |
| 925 | 25 | CDC70650 | CDC80650 |
| 1.11×10^3 | 30 | CDC707 | CDC807 |
| 1.85×10^3 | 50 | CDC708 | CDC808 |
| 3.7×10^3 | 100 | CDC709 | CDC809 |
| 7.4×10^3 | 200 | CDC710 | CDC810 |
| 11.1×10^3 | 300 | CDC711 | CDC811 |

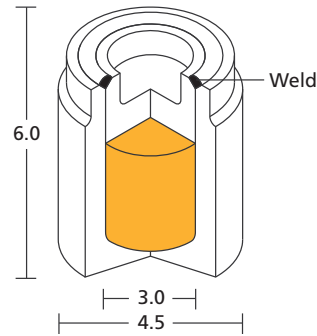
* Tolerance: Single encapsulated sources -5%, +20%
Double encapsulated sources -10%, +15%

Recommended working life: 15 years

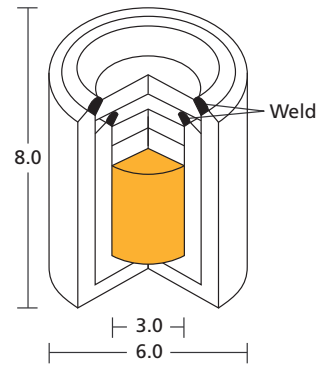
Quality control

- Wipe Test I
- Immersion Test II
- Bubble Test III

X.7



X.8



Safety performance testing

| Capsule | ANSI/ISO classification | IAEA special form | US-Model number |
|---------|-------------------------|-------------------|-----------------|
| X.7 | C66545 | YES | CDC.700 |
| X.8 | C66546 | YES | CDC.800 |

Caesium-137

Gamma Sources

Sources contain the radionuclide as a pellet of Caesium ceramic.

Encapsulation is in welded stainless steel. Sources are supplied with double encapsulation X.9.

| Nominal activity * | | Product code (X.9) |
|--------------------|-----|-----------------------|
| GBq | Ci | |
| 18.5 | 0.5 | CDC90 |
| 37 | 1.0 | CDC91 |
| 74 | 2.0 | CDC92 |
| 111 | 3.0 | CDC93 |

* Tolerance: -0%, +25%

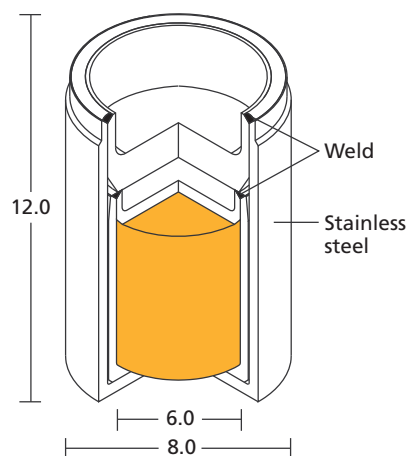
Recommended working life: 15 years

Quality control

Wipe Test I
Immersion Test II
Bubble Test III

Cs-134 impurity < 1% of Cs-137

X.9



Safety performance testing

| ANSI/ISO classification number | IAEA special form | US-Model |
|--------------------------------|-------------------|----------|
| C66646 | YES | CDC.93 |

Caesium-137

Gamma Sources

Sources contain the radionuclide as a pellet of Caesium ceramic or fused glass, doubly encapsulated in welded stainless steel.

| Nominal activity * | | Product code | Product code |
|--------------------|-------|--------------|--------------|
| MBq | mCi | X38/2 | X38/4 |
| 37 | 1 | CDC3801 | |
| 74 | 2 | CDC3802 | |
| 111 | 3 | CDC3803 | |
| 185 | 5 | CDC3804 | |
| 370 | 10 | CDC3805 | |
| 740 | 20 | CDC3806 | |
| 1.11×10^3 | 30 | CDC3807 | |
| 1.85×10^3 | 50 | CDC3808 | |
| 3.7×10^3 | 100 | CDC3809 | |
| 7.4×10^3 | 200 | CDC3810 | |
| 11.1×10^3 | 300 | CDC3811 | |
| 18.5×10^3 | 500 | | CDC3820 |
| 37×10^3 | 1000 | | CDC3821 |
| 74×10^3 | 2000 | | CDC3822 |
| 11.1×10^4 | 3000 | | CDC3823 |
| 14.8×10^4 | 4000 | | CDC3824 |
| 18.5×10^4 | 5000 | | CDC3825 |
| 22.2×10^4 | 6000 | | CDC3826 |
| 25.9×10^4 | 7000 | | CDC3827 |
| 29.6×10^4 | 8000 | | CDC3828 |
| 33.3×10^4 | 9000 | | CDC3829 |
| 37.0×10^4 | 10000 | | CDC38210 |

* Tolerance: -10%, +15%

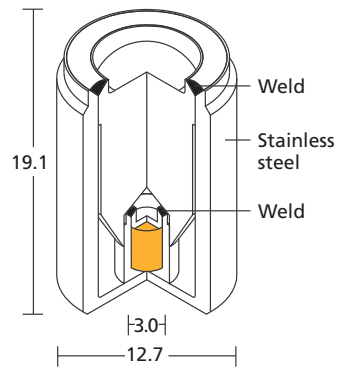
Recommended working life: 15 years

Quality control

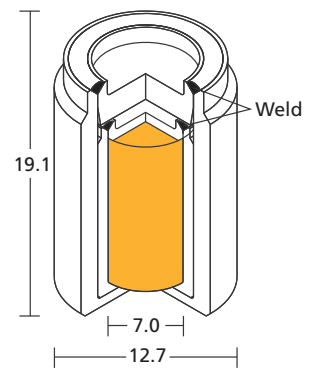
Wipe Test I
Immersion Test II
Bubble Test III

Cs-134 impurity < 1% of Cs-137

X.38/2



X.38/4



Safety performance testing

| Capsule | ANSI/ISO classification | IAEA special form | US-Model number |
|---------|-------------------------|-------------------|-----------------|
| X.38/2 | C66646 | YES | CDC.700 |
| X.38/4 | C66646 | YES | CDC.711m |

Caesium-137

Gamma Sources

Sources contain the radionuclide as a pellet of Caesium ceramic, doubly encapsulated in welded stainless steel.

| Nominal activity * | | Product code | Product code |
|-------------------------|-------|--------------|--------------|
| MBq | mCi | VZ-79/1 | VZ-1508/2 |
| 3.7 | 0.1 | CDC7901 | CDCB1901 |
| 7.4 | 0.2 | CDCB1683 | CDCB1902 |
| 14.8 | 0.4 | | CDCB1903 |
| 18.5 | 0.5 | CDC7902 | CDCB1904 |
| 37 | 1.0 | CDC7903 | CDCB1905 |
| 55.5 | 1.5 | CDCB1595 | CDCB1906 |
| 74 | 2.0 | CDC7904 | CDCB1907 |
| 92.5 | 2.5 | CDCB1758 | CDCB1908 |
| 110 | 3.0 | CDC7905 | CDCB1909 |
| 148 | 4.0 | | CDCB1910 |
| 185 | 5.0 | CDC7906 | CDCB1911 |
| 222 | 6.0 | CDCB1611 | CDCB1912 |
| 260 | 7.0 | CDCB1805 | CDCB1913 |
| 300 | 8.1 | CDC7907 | CDCB1914 |
| 370 | 10.0 | CDC7908 | CDCB1915 |
| 550 | 14.9 | CDC7909 | CDCB1916 |
| 629 | 17.0 | CDCB1601 | CDCB1917 |
| 740 | 20.0 | CDC7910 | CDCB1918 |
| 925 | 25.0 | CDC7911 | CDCB1919 |
| 1.1 x 10 ³ | 30.0 | CDC7912 | CDCB1920 |
| 1.3 x 10 ³ | 35.1 | CDCB1605 | CDCB1921 |
| 1.48 X 10 ³ | 40.0 | | CDCB1922 |
| 1.6 x 10 ³ | 43.2 | CDCB1785 | CDCB1923 |
| 1.85 x 10 ³ | 50.0 | CDC7913 | CDCB1924 |
| 2.2 x 10 ³ | 59.5 | CDCB1684 | CDCB1925 |
| 2.8 x 10 ³ | 75.7 | CDC7914 | CDCB1926 |
| 3 x 10 ³ | 81.1 | CDCB1746 | CDCB1927 |
| 3.7 x 10 ³ | 100.0 | CDC7915 | CDCB1928 |
| 5.5 x 10 ³ | 148.6 | CDC7916 | CDCB1929 |
| 5.92 x 10 ³ | 160.0 | CDCB1665 | CDCB1930 |
| 6.7 x 10 ³ | 181.0 | CDCB1792 | CDCB1931 |
| 7.4 x 10 ³ | 200.0 | CDC7917 | CDCB1932 |
| 9.25 x 10 ³ | 250.0 | CDC7918 | CDCB1933 |
| 9.62 x 10 ³ | 260.0 | CDCB1847 | CDCB1934 |
| 11 x 10 ³ | 297.3 | CDC7919 | CDCB1935 |
| 12.2 x 10 ³ | 329.7 | CDCB1793 | CDCB1936 |
| 13 x 10 ³ | 351.4 | CDC7920 | CDCB1937 |
| 13.7 x 10 ³ | 370.3 | CDCB1848 | CDCB1938 |
| 14 x 10 ³ | 378.4 | CDCB1794 | CDCB1939 |
| 15 x 10 ³ | 405.4 | CDC7921 | CDCB1940 |
| 16.65 x 10 ³ | 450.0 | CDCB1856 | CDCB1941 |
| 18.5 x 10 ³ | 500.0 | CDC7922 | CDCB1942 |

* Tolerance: ±10%

Recommended working life: 15 years

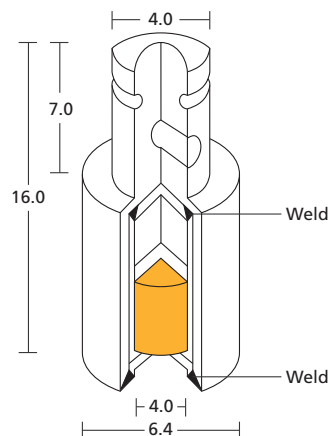
Quality control

Wipe Test I

Immersion Test II

Bubble Test III

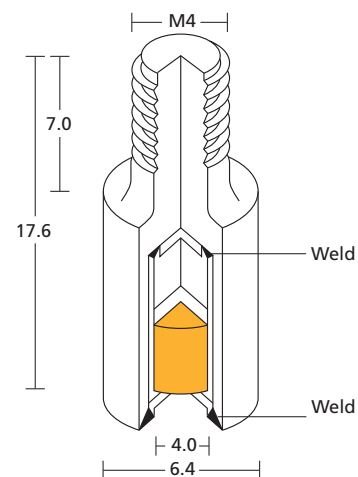
VZ-79/1



Safety performance testing

| ANSI/ISO classification number | IAEA special form | US-Model |
|--------------------------------|-------------------|----------|
| C66646 | YES | CDC.P4 |

VZ-1508/2



Safety performance testing

| ANSI/ISO classification number | IAEA special form | US-Model |
|--------------------------------|-------------------|----------|
| C66646 | YES | CDC.P4 |

Caesium-137

Gamma Sources

Sources contain the radionuclide as a pellet of Caesium ceramic, doubly encapsulated in welded stainless steel.

| Nominal activity * | | Product code |
|------------------------|-------|--------------|
| MBq | mCi | VZ-259/2 |
| 3.7 | 0.1 | CDC5901 |
| 18.5 | 0.5 | CDC5902 |
| 37 | 1.0 | CDC5903 |
| 74 | 2.0 | CDC5904 |
| 110 | 3.0 | CDC5905 |
| 185 | 5.0 | CDC5906 |
| 300 | 8.1 | CDC5907 |
| 370 | 10.0 | CDC5908 |
| 550 | 14.9 | CDC5909 |
| 740 | 20.0 | CDC5910 |
| 925 | 25.0 | CDC5911 |
| 1.11 x 10 ³ | 30.0 | CDC5912 |
| 1.85 x 10 ³ | 50.0 | CDC5913 |
| 2.8 x 10 ³ | 75.7 | CDC5914 |
| 3.7 x 10 ³ | 100.0 | CDC5915 |
| 5.5 x 10 ³ | 148.6 | CDC5916 |
| 7.4 x 10 ³ | 200.0 | CDC5917 |
| 9.25 x 10 ³ | 250.0 | CDC5918 |
| 11.1 x 10 ³ | 297.3 | CDC5919 |
| 13 x 10 ³ | 351.4 | CDC5920 |
| 15 x 10 ³ | 405.4 | CDC5921 |
| 18.5 x 10 ³ | 500.0 | CDC5922 |

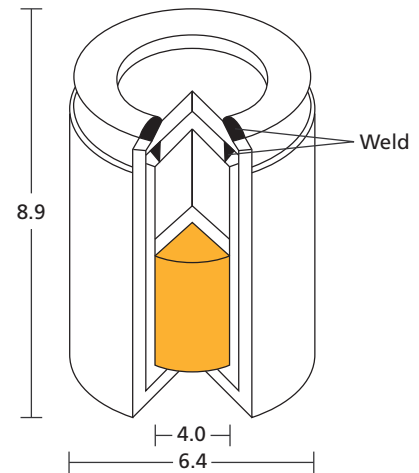
* Tolerance: ±10%

Recommended working life: 15 years

Quality control

Wipe Test I
Immersion Test II
Bubble Test III

VZ-259/2



Safety performance testing

| ANSI/ISO classification number | IAEA special form | US-Model |
|--------------------------------|-------------------|----------|
| C64444 | YES | CDC.P4 |